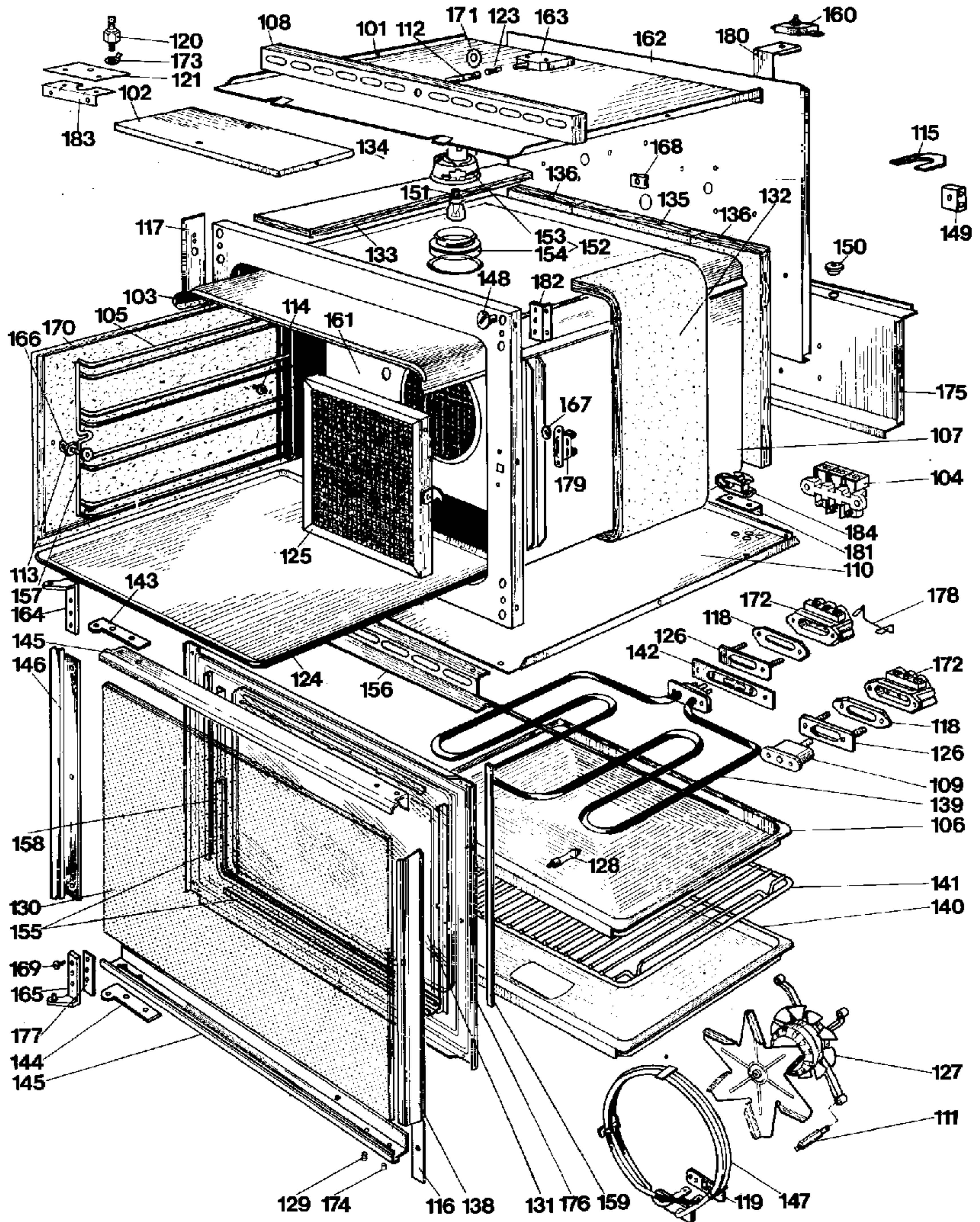
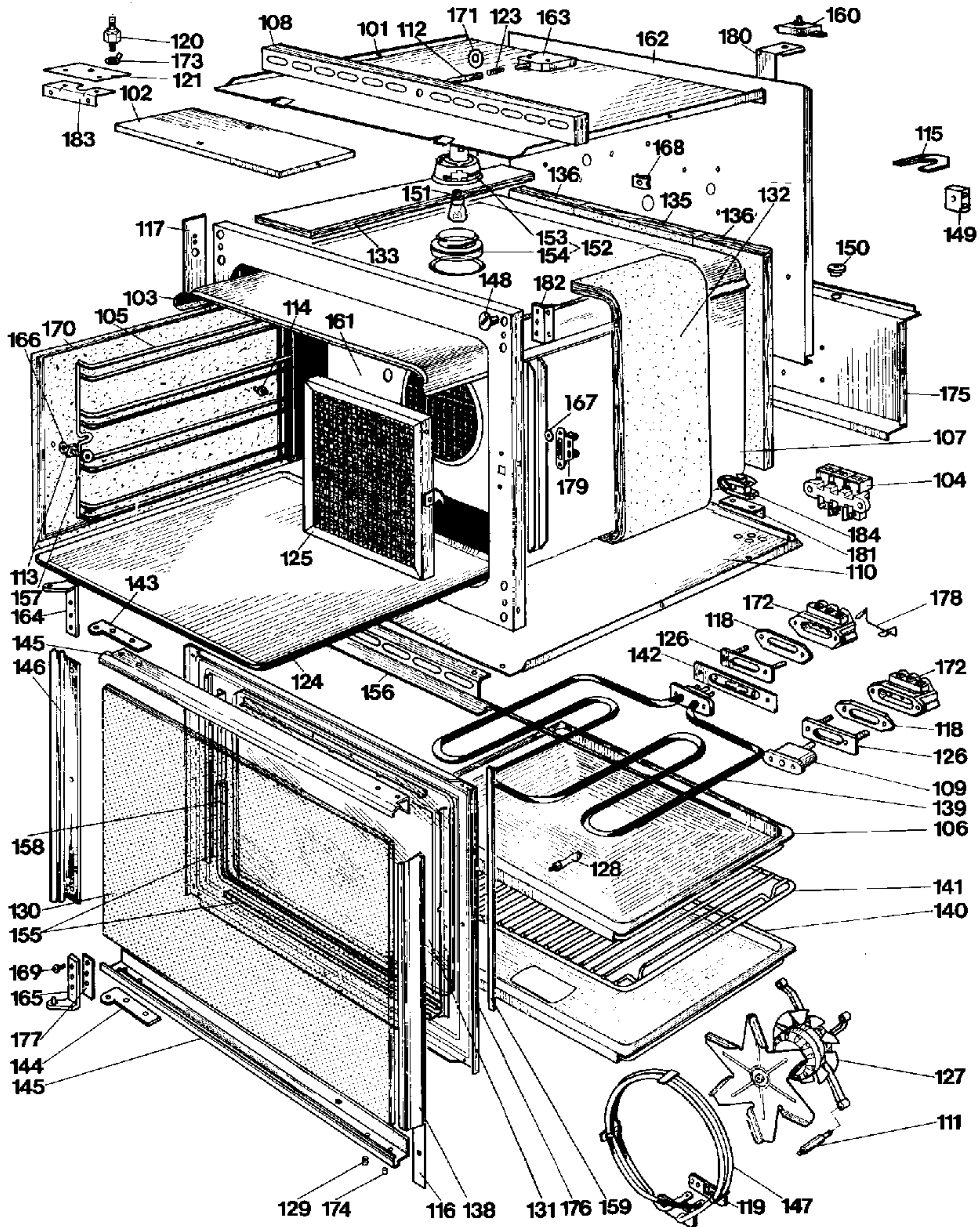


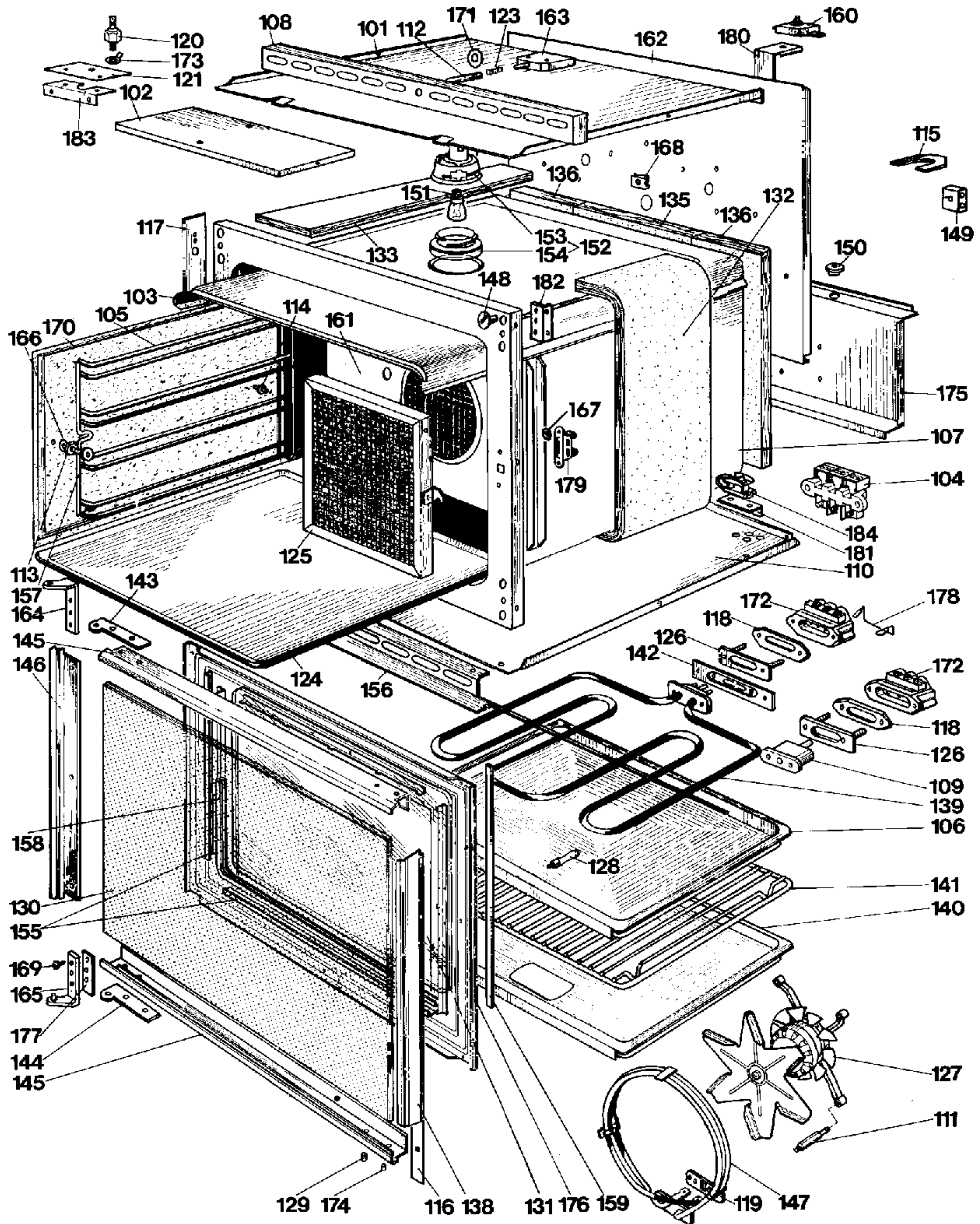
| Pos. | Mat-Nr. | Bezeichnung | Description |
|------|---------|------------------------------|-------------------------------|
| 1 | 292267 | Abdeckblech | cover sheet |
| 2 | 292260 | Abdeckblech | cover sheet |
| 3 | 291984 | Anschlussblende | connecting panel |
| 4 | 321158 | Distanzstueck | distance piece |
| 5 | 156554 | Distanzstueck | distance piece |
| 6 | 156824 | Endstueck, schwarz | end piece, black |
| | 097993 | Endstueck, weiss | end piece, white |
| 7 | 320849 | Feder | spring |
| 9 | 320962 | Halteblech | fixing sheet |
| 10 | 156756 | Haltefeder | spring |
| 11 | 156959 | Halter | holder |
| 12 | 292221 | Halteschiene, schwarz | fixing rail, black |
| | 290947 | Halteschiene, weiss | fixing rail, white |
| 13 | 292222 | Halteschiene, schwarz | fixing rail, black |
| | 290948 | Halteschiene, weiss | fixing rail, white |
| 14 | 323739 | Isolierschlauch | insulating hose |
| 15 | 157252 | Knebel, schwarz | knob, black |
| | 157253 | Knebel, weiss | knob, white |
| 16 | 156532 | Kontrollampe | signal light |
| 17 | 156506 | Kontrollampe | signal light |
| 18 | 097798 | Regler | controller |
| 19 | 211338 | Ruckwand | backwall |
| 20 | 156615 | Schalter | switch |
| 21 | 292282 | Schaltertrager | switch holder |
| 22 | 097906 | Schaltuhr EB 838-100/110/140 | timer EB 838-100/110/140 |
| | 097905 | Schaltuhr EB 838-120 | timer EB 838-120 |
| 22a | 157479 | Knebelsatz braun -100/-110 | set of knobs, brown -100/-110 |
| | 322588 | Knebelsatz weiss -120/-140 | set of knobs, white -120/-140 |
| 23 | 156781 | Scheibe | washer |
| 24 | 291922 | Seitenwand | side wall |
| 25 | 156898 | Skalenscheibe | graduated dial |
| 26 | 290811 | Zierleiste | decorative strip |
| 27 | 290809 | Zierleiste | decorative strip |
| 29 | 320119 | Dichtung fuer Knebel -110 | gasket for knob -110 |
| 30 | 210829 | Blende kpl. EB 838-100 | switchb. panel compl. EB 838- |
| | 290878 | Blende kpl. EB 838-110 | switchb. panel compl. EB 838- |
| | 290879 | Blende kpl. EB 838-120 | switchb. panel compl. EB 838- |
| | 290915 | Blende kpl. EB 838-140 | switchb. panel compl. EB 838- |



| Pos. | Mat-Nr. | Bezeichnung | Description |
|------|---------|-----------------------------|---------------------------|
| 101 | 291874 | Abdeckblech | cover sheet |
| 102 | 097766 | Abdeckblech | cover sheet |
| 103 | 210669 | Anschlussklemme | connecting terminal |
| 105 | 291911 | Auflagerost | grid |
| 106 | 291035 | Backblech | cookie sheet |
| 107 | 233258 | Backmuffel | inner oven |
| 108 | 290799 | Lueftungsgitter | ventilation grid |
| 109 | 155739 | Blindstecker | blina plug |
| 110 | 211477 | Bodenblech | bottom sheet |
| 111 | 321241 | Bolzen | bolt |
| 112 | 320714 | Bolzen | bolt |
| 113 | 320814 | Bolzen | bolt |
| 114 | 321243 | Bolzen | bolt |
| 115 | 321194 | Bruecke | jumper |
| 116 | 156560 | Dichtleiste | sealing strip |
| 117 | 155807 | Dichtleiste | sealing strip |
| 118 | 321231 | Dichtung | gasket |
| 119 | 155791 | Dichtung | gasket |
| 120 | 155684 | Diode | diode |
| 121 | 320681 | Diodenhalter | diode holder |
| 123 | 155751 | Feder | spring |
| 124 | 210853 | Fettauffangwanne | grease tray |
| 125 | 291304 | Fettfilter | grease filter |
| 126 | 156828 | Flansch | flange |
| 127 | 098431 | Geblaese | fan motor |
| 128 | 321197 | Gewindebolzen | threaded bolt |
| 129 | 320813 | Gewindestift | set screw |
| 130 | 211429 | Glasscheibe EB 838-100 | glass pane EB 838-100 |
| | 211431 | Glasscheibe EB 838-120 | glass pane EB 838-120 |
| | 292150 | Glasscheibe EB 838-110/-140 | glass pane EB 838-110/140 |
| 131 | 211411 | Glassscheibe | glass pane |
| 132 | 292734 | Isoliermatte | glass wool mat |
| 133 | 292737 | Isoliermatte | glass wool mat |
| 135 | 292872 | Matte | glass wool mat |
| 136 | 292873 | Matte | glass wool mat |
| 138 | 291233 | Griff, schwarz | handle, black |
| | 291236 | Griff, weiss | handle, white |
| | 291232 | Griff, Edelstahl | handle, stainless steel |



| Pos. | Mat-Nr. | Bezeichnung | Description |
|------|---------|-----------------------------------|--------------------------------|
| 139 | 291957 | Grillheizkoerper 220 V | heating element 220 V |
| 140 | 291071 | Grillpfanne | grill pan |
| 141 | 292352 | Grillrost | grid |
| 142 | 320847 | Halteblech | fixing sheet |
| 143 | 098194 | Halteblech | fixing sheet |
| 144 | 098195 | Halteblech | fixing sheet |
| 145 | 291147 | Halteschiene | fixing rail |
| 146 | 291149 | Halteschiene, schwarz | fixing rail, black |
| | 291150 | Halteschiene, weiss | fixing rail, white |
| 147 | 097860 | Heizkoerper 220 V | heating element 220 V |
| 148 | 321201 | Kappe | cap |
| 149 | 156318 | Klemme 2-polig | terminal connector, 2poles |
| 150 | 156455 | Kabeldurchfuehrung | grommet |
| 151 | 156502 | Lampe | lamp |
| 152 | 156947 | Lampe kompl. | lamp compl. |
| 153 | 157451 | Lampenfassung | lamp socket |
| 154 | 157440 | Lampenglas | lamp glass |
| 155 | 292484 | Leiste | strip |
| 156 | 292486 | Leiste | strip |
| 157 | 155787 | Mutter | nut |
| 158 | 097812 | Profildichtung | gasket |
| 159 | 211371 | Profildichtung, seitlich | gasket at the side |
| | 097817 | Profildichtung, umlaufend | gasket, surrounding |
| 160 | 156408 | Protector 100 C, gruen | protector 100 C, green |
| | 322686 | Protector 65 C | Protector 65 C |
| 161 | 210966 | Rueckwand kompl. | backwall compl. |
| 162 | 211336 | Rueckblech | rear panel |
| 163 | 157185 | Schalter | switch |
| 164 | 097154 | Scharnier | hinge |
| 165 | 155553 | Scharnier | hinge |
| 166 | 321239 | Scheibe | washer |
| 167 | 321271 | Scheibe | washer |
| 168 | 321169 | Schnappmutter | snap-in nut |
| 169 | 155398 | Schraube | screw |
| 170 | 290806 | Seitenblech | side panel |
| 171 | 321195 | Sicherungsring | securing ring |
| 172 | 156830 | Steckdose | socket |
| 173 | 321269 | Stecker | plug |
| 174 | 321152 | Stopfen | stopper |
| 175 | 291969 | Trennblech | dividing sheet |
| 176 | 210755 | Tuerfuellblech | door filling sheet |
| | | (mit Pos. 159 Dichtung seitl.) | (with Pos. 159 gasket at the |
| | 210756 | Tuerfuellblech | door filling sheet |
| | | (mit Pos. 159 Dichtung umlaufend) | with Pos. 159 gasket, surround |
| 177 | 518270 | Unterlage | base |
| 178 | 155770 | Verbindung | Bracket |
| 179 | 155633 | Verschluss | Locking mechanism |
| 180 | 156364 | Winkel | Angle |



| Pos. | Mat-Nr. | Bezeichnung | Description |
|--------|---------|------------------------|------------------------|
| 181 | 320689 | Winkel | angle |
| 182 | 321680 | Winkel | angle |
| 183 | 323216 | Winkel | angle |
| 184 | 156380 | Zugentlastung | cable traction relief |
| o.Abb. | 210627 | Tuer kompl. EB 838-100 | door compl. EB 838-100 |
| | 210628 | Tuer kompl. EB 838-110 | door compl. EB 838-110 |
| | 210629 | Tuer kompl. EB 838-120 | door compl. EB 838-120 |
| | 210634 | Tuer kompl. EB 838-140 | door compl. EB 838-140 |
| o.Abb. | 291548 | Isolierung kpl. | insulation complete |
