



Philips Domestic Appliances and Personal Care

Service Manual

PRODUCT INFORMATION

Features

Iron, Azur

- Careeza soleplate
- Shot of steam (SOS)
- Max. steam output 90 g/min
- Cord length 1.9 m

Boiler

- Inox boiler
- Capacity 1 litre
- Vario steam
- Steam Ready indicator
- Anti scaling funnel.

TECHNICAL INFORMATION

Voltage : 220 - 240 V

Frequency : 50 - 60 Hz

Power consumption : Iron : 800 W
Boiler : 1200 W
Pressure : 3.5 bar

Water advice : Suitable for tap water use. However if the tap water in your area is very hard, we advise you to mix it with a equal portion of distilled water or to use distilled water only.

Soleplate

Careeza is a multi layer chemical substance that gives an excellent gliding over various fabrics and better care for the garments.

Vario steam

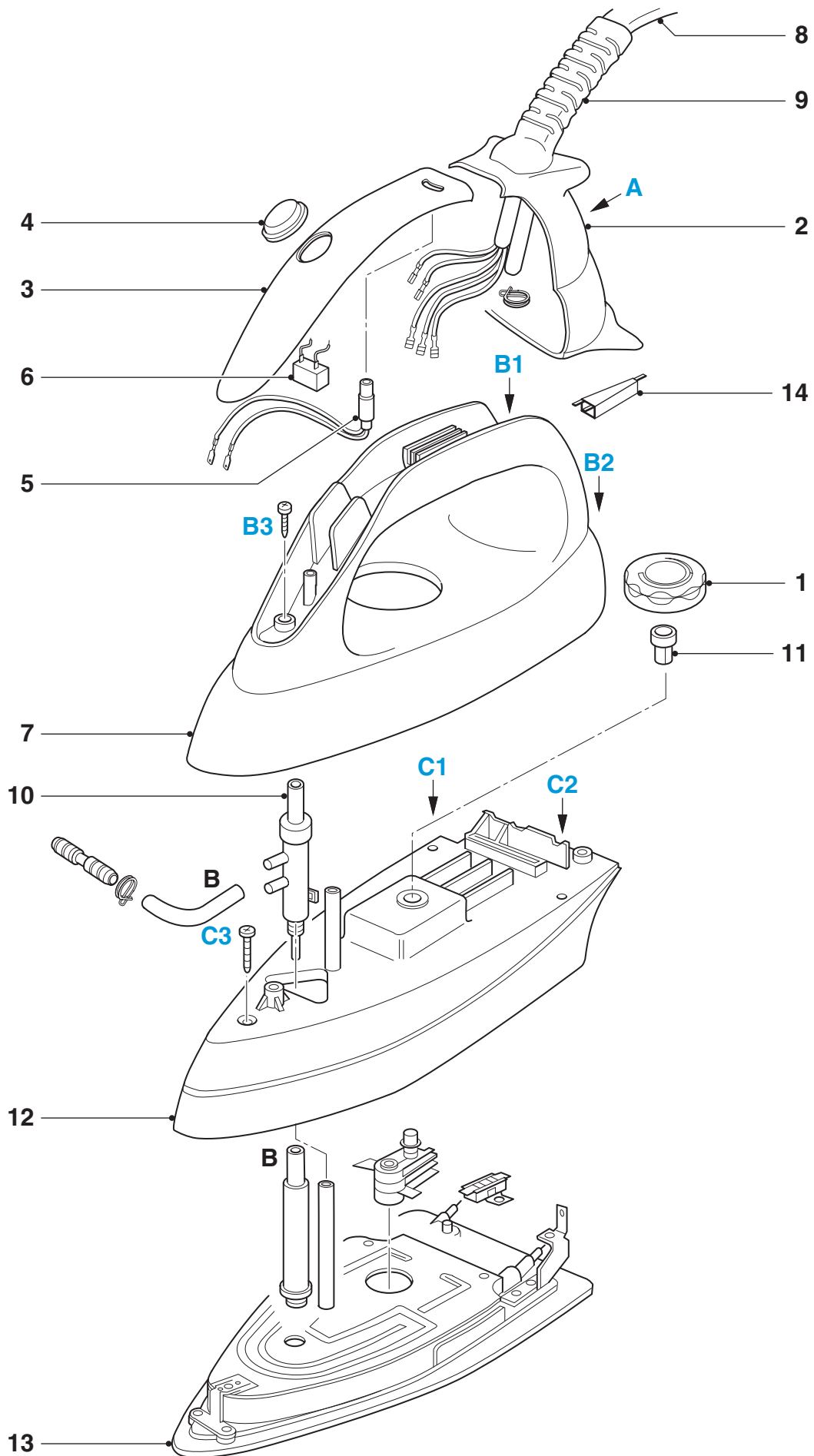
The vario steam function allows user to have control over the steam rate and this prevent over moisturising the cloth.

Anti calc

The anti calc is integrated in the funnel and softens the water that goes into the boiler.

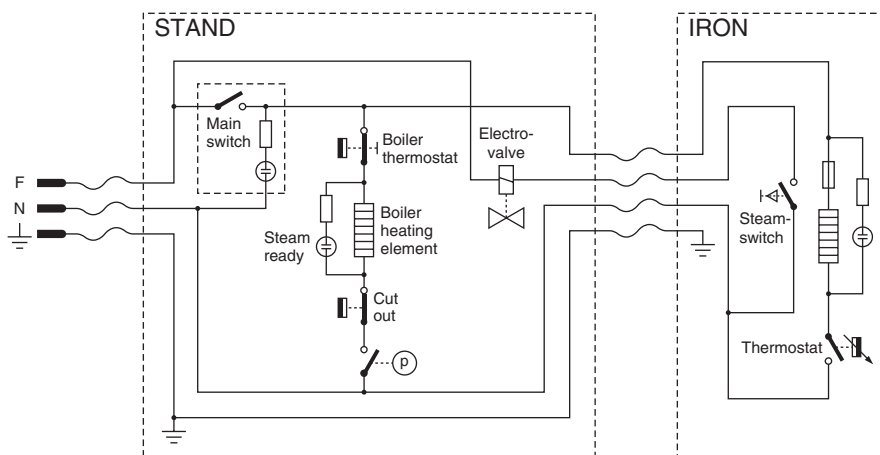
This product meets the requirement regarding interference suppression on radio and television.

EXPLODED VIEW IRON



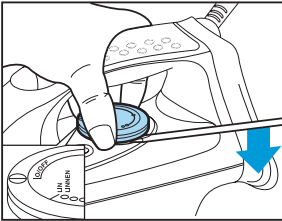
PARTS LIST IRON

Pos	Description	Service code
1	Dial	9965 000 13233
2	Backplate	9965 000 13234
3	Inlay	9965 000 13279
4	Jet of steam knob	9965 000 13280
5	Iron Lamp	9965 000 01686
6	Micro switch	9965 000 01888
7	Iron Handle	9965 000 13287
8	Intermediate Cord	9965 000 13237
9	Swivel	9965 000 13238
10	Deviator assy	9965 000 13288
11	Thermostat bush	9965 000 01682
12	Iron skirt	9965 000 13289
13	Soleplate unit + skirt	4239 022 55030
14	Electrovalve trigger	9965 000 13255



DISASSEMBLY ADVISE IRON

REPLACE DIAL 1



REPLACE BACKPLATE 2

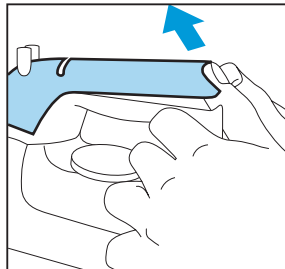
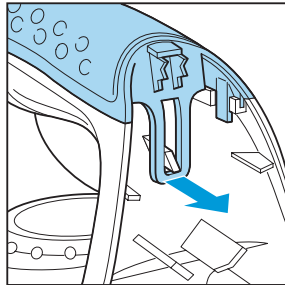
- disassemble **DIAL 1**
- remove **screw A**
- remove **connection**
- remove **hose**

REPLACE INLAY 3

STEAM KNOB 4

IRON LAMP 5

MICRO SWITCH 6



REPLACE IRON HANDLE 7

- disassemble **DIAL 1**
- remove **screw A**
- remove **connection**
- remove **hose**
- disassemble **BACKPLATE 2**
- disassemble **INLAY 3**
- STEAM KNOB 4**
- IRON LAMP 5**
- MICRO SWITCH 6**
- remove **screw B (3x)**

REPLACE INTERMEDIATE CABLE 8

SWIVEL 9

DEVIATOR ASSY 10

THERMOSTAT BUSH 11

- disassemble **DIAL 1**
- remove **screw A**
- remove **connection**
- remove **hose**
- disassemble **BACKPLATE 2**
- disassemble **INLAY 3**
- STEAM KNOB 4**
- IRON LAMP 5**
- MICRO SWITCH 6**
- remove **screw B (3x)**
- disassemble **IRON HANDLE 7**

REPLACE IRON SKIRT 12

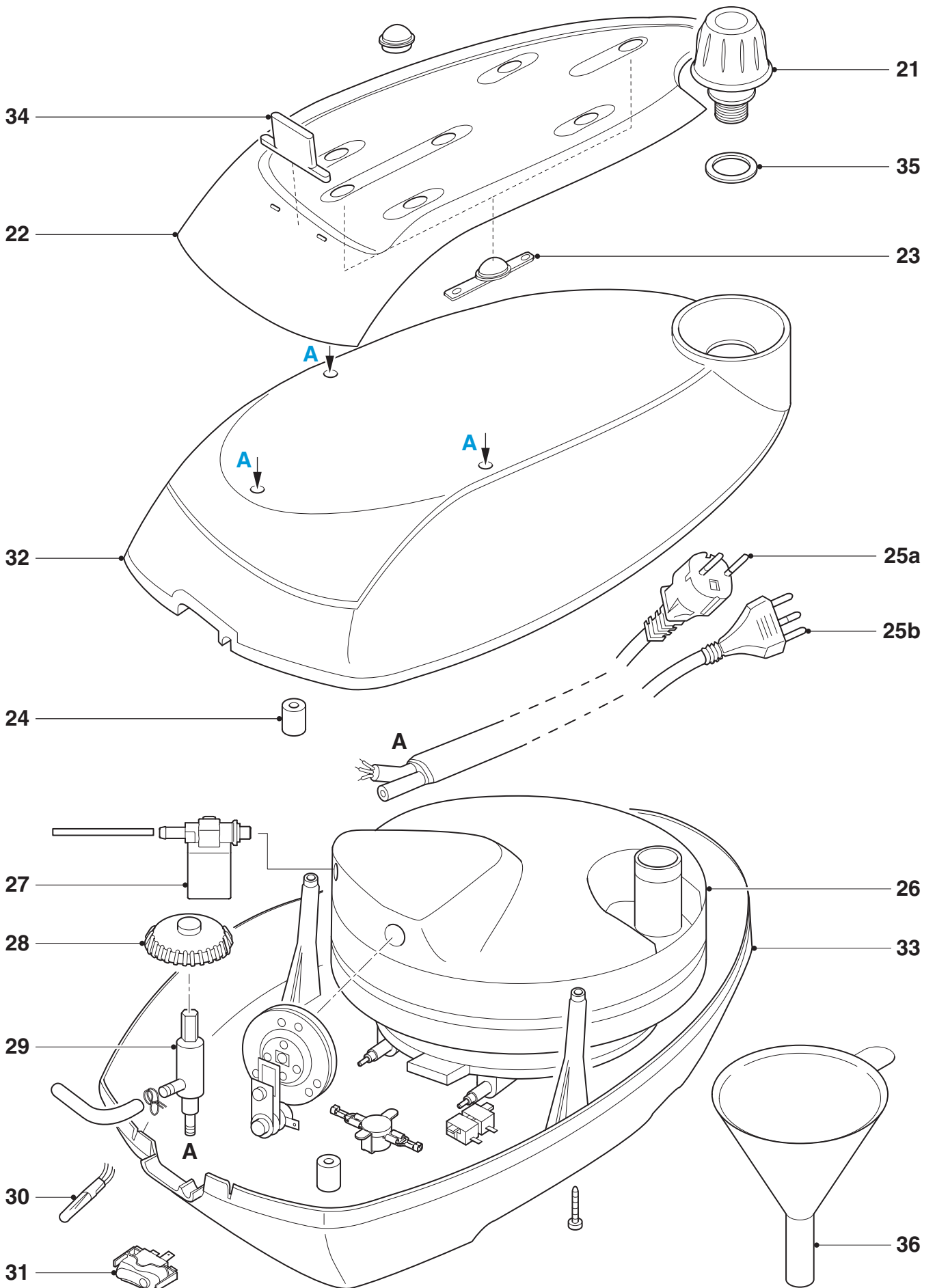
SOLEPLATE UNIT 13

- disassemble **DIAL 1**
- remove **screw A**
- remove **connection**
- remove **hose**
- disassemble **BACKPLATE 2**
- disassemble **INLAY 3**
- STEAM KNOB 4**
- IRON LAMP 5**
- MICRO SWITCH 6**
- remove **screw B (3x)**
- disassemble **IRON HANDLE 7**
- disassemble **INTERMEDIATE CABLE 8**
- SWIVEL 9**
- DEVIATOR ASSY 10**
- THERMOSTAT BUSH 11**
- remove **screw C (3x)**

Notes :

For disassembly you will need a Torx screwdriver 362 TR T20 x 100.

EXPLODED VIEW STAND

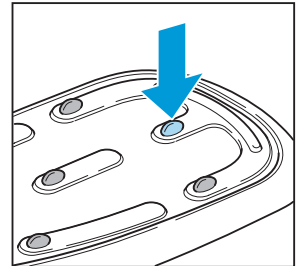


PARTS LIST + DISASSEMBLY ADVICE STAND

Pos	Description	Service code
21	Safety cap	9965 000 13293
22	Complete tray	9965 000 13248
23	Tray rubber foot	9965 000 13249
24	Boiler rubber foot	4822 462 71999
25a	Intermediate supply cable (Europe)	9965 000 01793
25b	Intermediate supply cable (Italy)	9965 000 01792
26	Inox boiler unit	9965 000 13294
27	Electrovalve	4822 218 11561
28	Steam Dial	9965 000 13272
29	Steam regulator	9965 000 01900
30	Lamp	9965 000 13273
31	Main switch	9965 000 13251
32	Superior stand printed GC 6026	9965 000 13295
33	Inferior stand	9965 000 13278
34	Tray stopper prevent Iron from sliding	9965 000 13254
35	Filling hole gasket	9965 000 01782
36	Funnel and Anti cal	9965 000 13299

SAFETY CAP 21

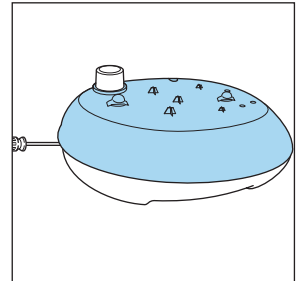
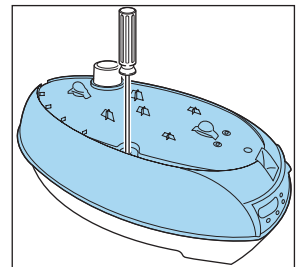
COMPLETE TRAY 22



Note: pressure fixation rubber through the tray.

SUPERIOR STAND PRINTED 32

Remove screws A (4x)



Remove the SUPERIOR STAND and you will see the respective parts of the Boiler.

ADJUSTMENT AND CONTROLS

- To avoid leakage of the sealings and damage to the components in and on the boiler, **NEVER** clean the boiler with vinegar, a descaling agent or other chemicals.
- The boiler doesn't contain serviceable parts. **Never disassemble the boiler body or components and/or components on and in the boiler.**
- The boiler is required to be rinsed after every ten times use.
- **ALWAYS REPLACE BOILER (Pos 26) WHEN:**
 - * the mechanical safety valve has been activated.
 - * the boiler thermostat or hand –resettable safety thermostat are open.
 - * the electrovalve fails or the sieve is soiled with scale.
- After the product has been repaired, it should function properly and has to meet the safety requirements as laid down and officially established at this moment.