

Service
Service
Service



Philips Domestic Appliances and Personal Care

Service Manual

PRODUCT INFORMATION

Features

Iron

- Stainless steel soleplate
- Max. steam rate (85 grams/min)
- Steam trigger lock
- Ready within 2 minutes
- Stable heel rest
- Iron light switch

Boiler

- Boiler capacity (1 L, up to 2 hours of ironing)
- Ready within 8 minutes
- 1.9 m cord length
- 1.7 m hose length
- Anti-slip rubber feet
- Boiler light switch

Safety Information

- This product meets the requirements regarding interference suppression on radio & TV.
- Due to the high wattage of the iron, only the specified cord set must be used.
- After the product has been repaired, it should function properly and has to meet the safety requirements & legal regulations as laid down & officially established at this moment.

TECHNICAL INFORMATION

Voltage : 230 V
Frequency : 50 - 60 Hz

Power consumption : Iron : 800 W
Boiler : 1250 W
Pressure : 3.5 bar

Dimension (F-box) : 412 x 276 x 332 mm
Weight : 6.06 Kg

Water advice : Suitable for tap water use. However if the tap water in your area is very hard, we advise you to mix it with a equal portion of distilled water or to use distilled water only.

BACKPLATE 5

SWIVEL 14

- Remove screw A
- Disassemble BACKPLATE 5
- Remove screw B (2x)
- Remove cord clamp

INLAY 6

STEAM KNOB 7

MICROSWITCH 12

- Remove screw A
- Disassemble BACKPLATE 5
- Disassemble INLAY 6

TEMPERATURE DIAL 1

IRON LAMP ASSY 10

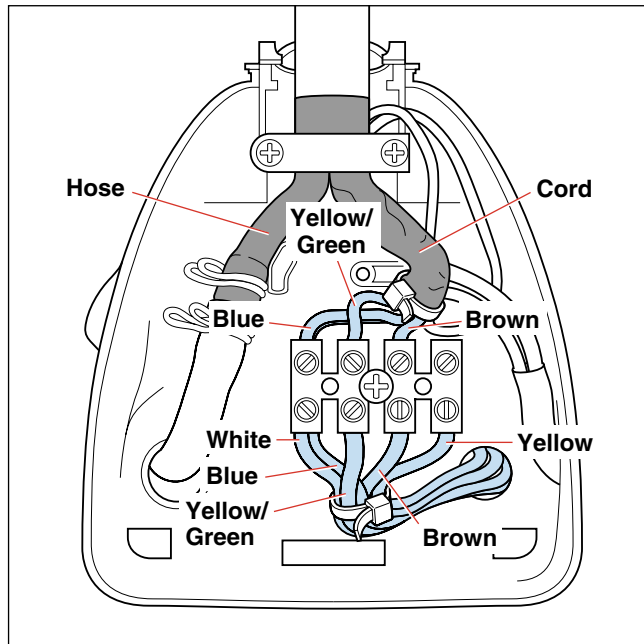
IRON HANDLE 13

IRON COVER 16

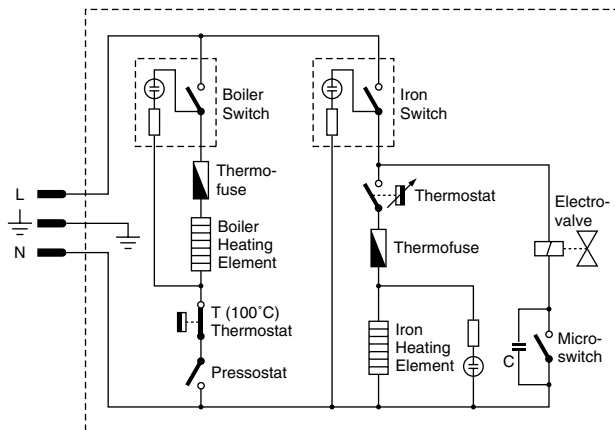
SOLEPLATE MTD ASSY 17

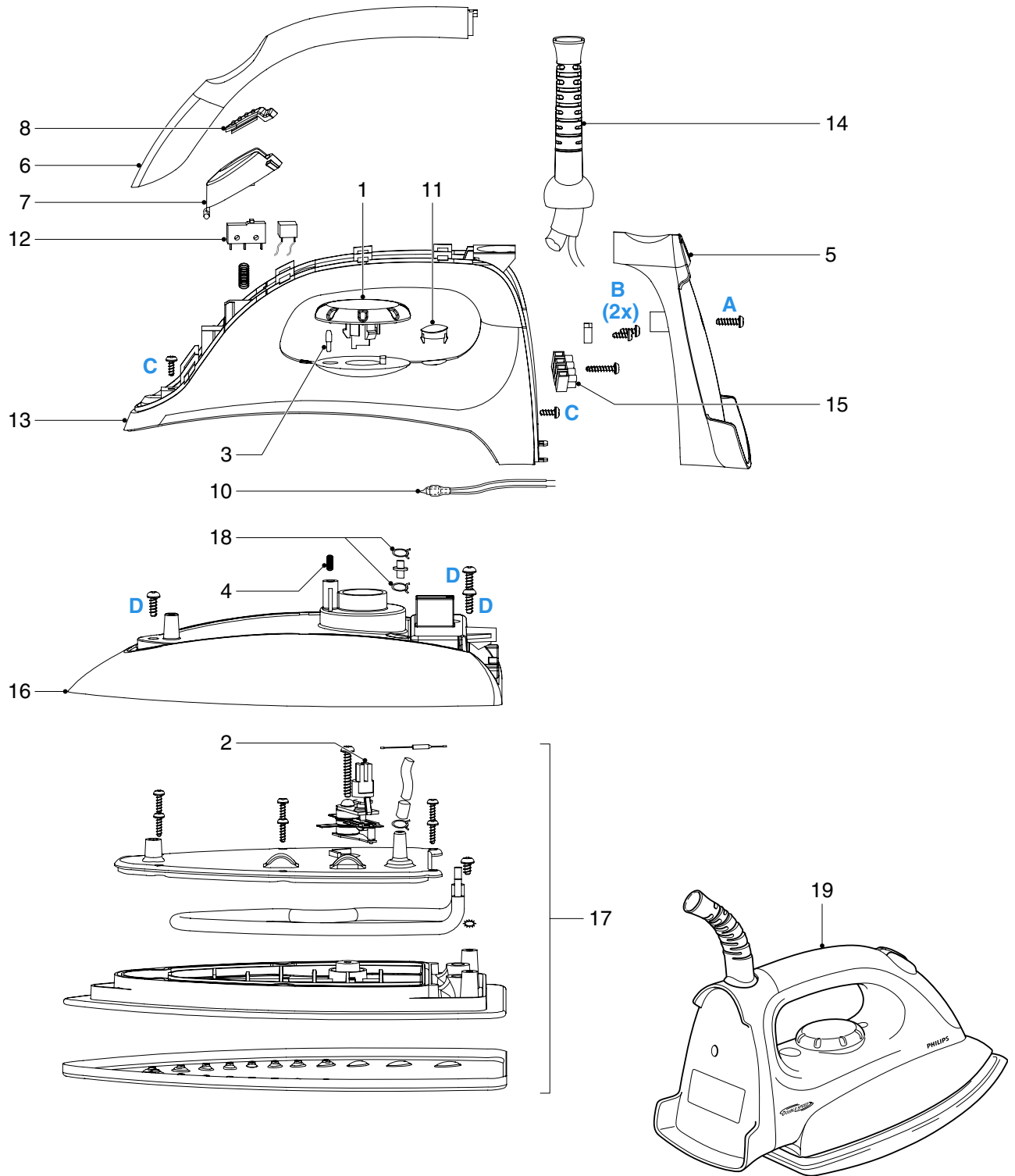
- Remove screw A
- Disassemble BACKPLATE 5
- Disassemble INLAY 6
- Disassemble TEMPERATURE DIAL 1
- Remove screw C (2x)
- Disassemble IRON HANDLE 13
- Remove screw D (3x)
- Disassemble IRON COVER 16

Hose-cord Assembly Connections



Electrical Diagram





Pos	Service code	Description
1	4239 022 57170	Temperature dial
2	4239 022 55370	Thermostat bush
3	4239 022 55480	Sliding probe
4	4239 022 55470	Sound spring
5	4239 022 57180	Backplate
6	4239 022 57190	Inlay
7	4239 022 57200	Steam knob
8	4239 022 57210	Fix piece
9	4239 022 55510	Steam knob spring
10	4239 022 55520	Iron lamp assy

Pos	Service code	Description
11	4239 022 55410	Iron lamp cover
12	4239 022 55500	Microswitch
13	4239 022 57220	Iron handle
14	4239 022 57230	Swivel
15	4239 022 55490	Small terminal block
16	4239 022 57240	Iron cover
17	4239 022 55360	Soleplate mounted assy
18	4239 022 55460	Hose clip
19	4239 022 57250	Iron assy - GC6310

HEAT INSULATION PLATE 22

TOP COVER 23

BOILER MOUNTED ASSY 31

- Remove screw G (5x)
- Disassemble TOP COVER 23
- Straighten ear locks of Heat Insulation Plate
- Disassemble HEAT INSULATION PLATE 22

FACE PLATE 26

LIGHT SWITCH HOLDER 29

LIGHT SWITCH 30

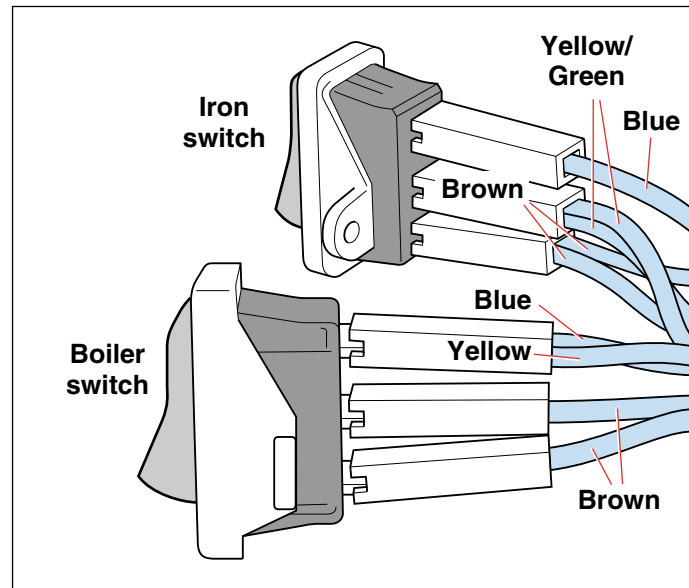
- Remove screw G (5x)
- Disassemble TOP COVER 23
- Remove screw E (4x)
- Disassemble FACE PLATE 26
- Remove screw F (4x)
- Disassemble LIGHT SWITCH HOLDER 29

HOSE-CORD ASSY 40

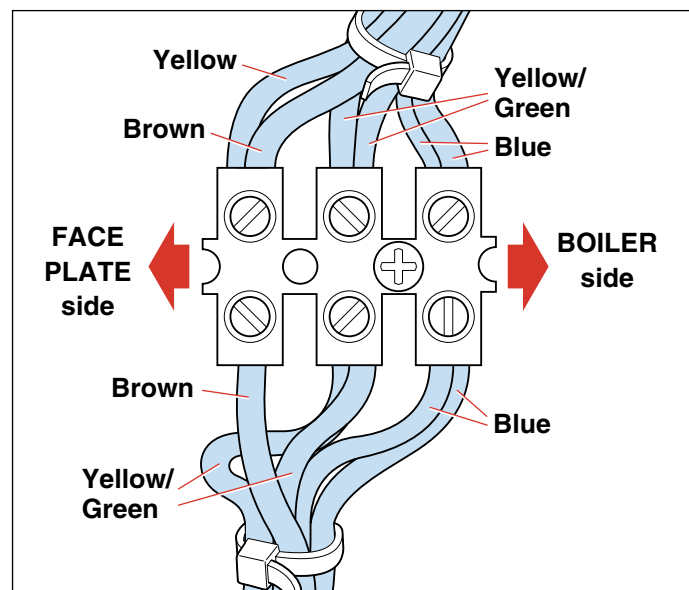
POWER CORD 41

- Remove screw G (5x)
- Disassemble TOP COVER 23
- Remove screw J (3x)
- Disassemble STAND CORD CLAMP 35

Connections on LIGHT SWITCH 30



Connections on BIGTERMINAL BLOCK 34



Note:

When replacing HOSE-CORD ASSY 40, please refer to IMPORTANT directives in the REPAIR INSTRUCTIONS on page 6.

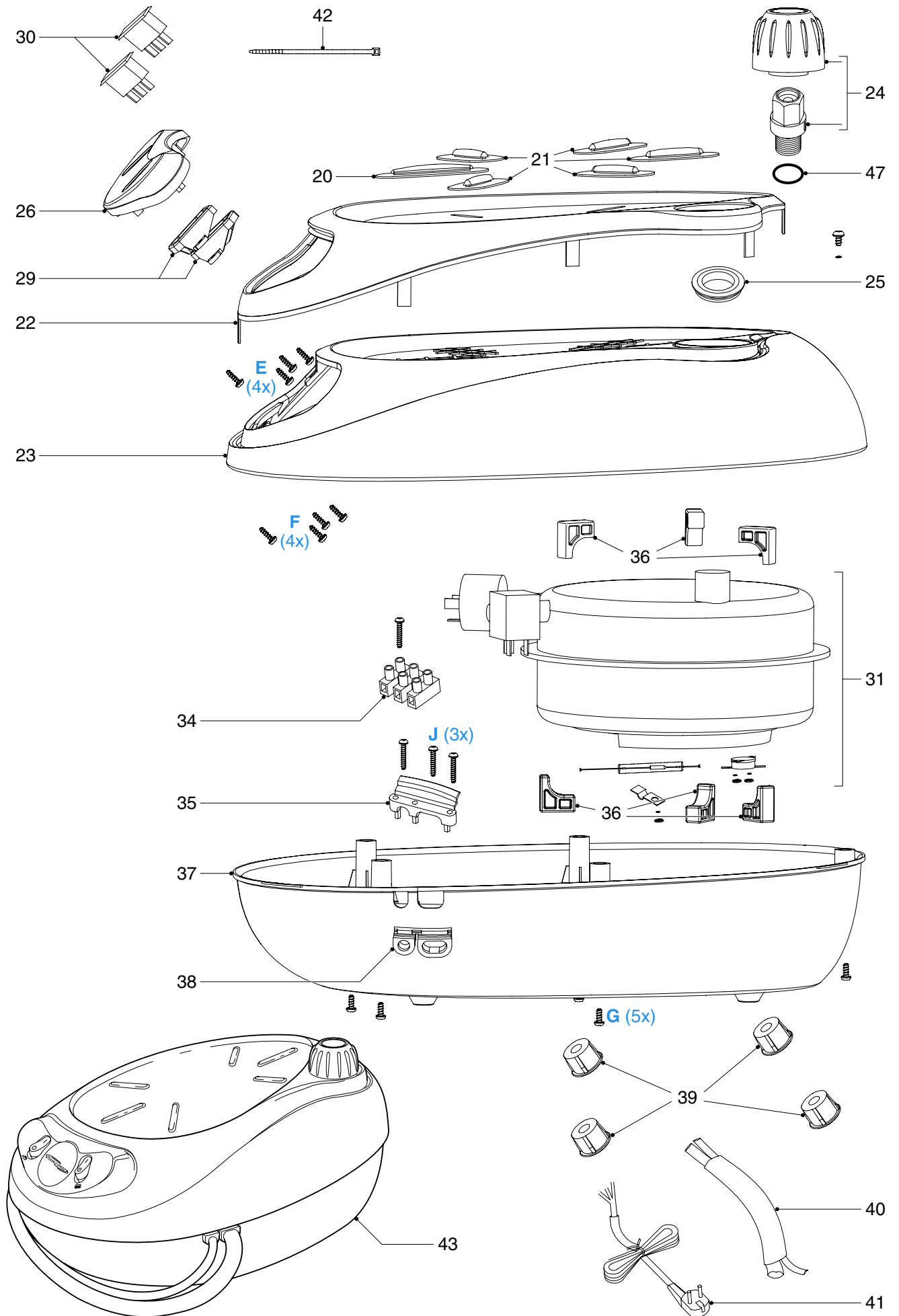
Pos	Service code	Description
20	4239 022 57260	Silicon cap A
21	4239 022 57270	Silicon cap B
22	4239 022 55560	Heat insulation plate
23	4239 022 57280	Top cover
24	4239 022 57290	Safety cap assy (Leak pressure valve + Relief valve cap)
25	4239 022 55660	Filling hole gasket
26	4239 022 57300	Face plate
29	4239 022 55600	Light switch holder
30	4239 022 55840	Light switch
31	4239 022 55720	Boiler mounted assy

Pos	Service code	Description
34	4239 022 55850	Big terminal block
35	4239 022 55790	Stand cord clamp
36	4239 022 55540	Boiler foot
37	4239 022 57310	Bottom cover
38	4239 022 57320	Guard jacket
39	4239 022 55680	Stand foot
40	4239 022 57330	Hose-cord assy
41	4239 022 57340	Power cord - EU
42	4239 022 55670	Cable tie
43	4239 022 57350	Stand assy - GC6310
47	4239 022 58590	Safety valve sealing ring

■ = changed

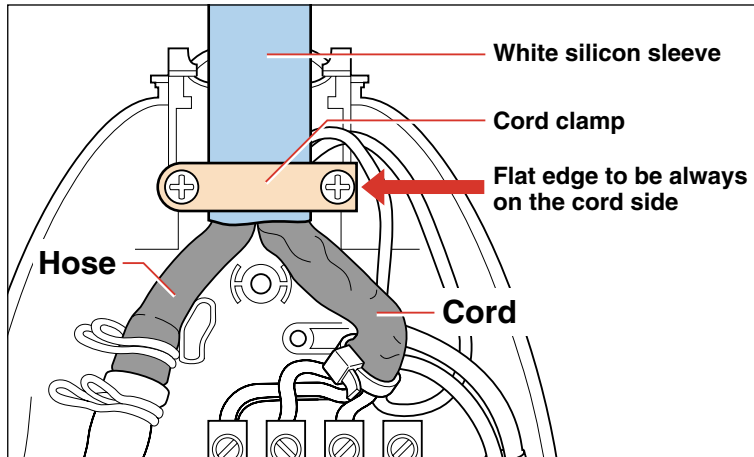
EXPLODED VIEW - BOILER STAND

GC6310



- Due to the high wattage of the iron, only the specified cord set must be used.
- Should damage be observed on the **HOSE-CORD ASSY 40** or **POWER CORD 41**, they must be replaced. Continued usage is not allowed.

When replacing **HOSE-CORD ASSY 40**, it is **IMPORTANT** to ensure that the white silicon sleeve is held tightly by the cord clamp. Below picture shows the correct position of the silicon sleeve with respect to the cord clamp. Do also ensure that the orientation of the cord clamp is correct i.e. such that the round end is on the left & the flat end is on the right, as shown in the picture.



- After the product has been repaired, it should function properly and has to meet the safety requirements & legal regulations as laid down & officially established at this moment.
- The following tests are common checks that are conducted on a repaired product before it is returned to the consumer.

1. Soleplate temperature

Check that soleplate temperature is within IEC requirement.

Measure the temperature of the soleplate after the iron has reached steady state i.e connected to the mains for at least 15 minutes. The table below shows the temperature requirement.

Marking	Soleplate temperature (Deg C)			Material, for example
	Minimum	Maximum	Nominal + Tolerance	
• (1 dot)	70	120	95 ± 25	Acetate, elastane, polyamide, polypropylene
•• (2 dots)	100	160	130 ± 30	Cupro, polyester, silk, triacetate, viscose, wool
••• (3 dots)	140	210	175 ± 35	Cotton, linen

The diagram shows a cross-section of a soleplate with a zigzag pattern. A red 'X' marks the 'Test-point' on the soleplate.

2. Leakage current

Check that leakage current is within IEC requirement.

Measure leakage current between LIVE/NEUTRAL & EARTH.

IEC requirement is that at 230 V supply, the EARTH leakage current must be less than 0.75 mA.

3. Water leakage / Functionality

Check that there is no water leakage from any part of the product during operation.

Check that the functionality of the product (product dependent) eg. steaming, variable steam, SOS, ASO etc is working properly.

4. Loose part

Check that there are no loose parts eg. extra screw in the product that can cause short-circuit or product malfunction.