



New gas burners and cooling units for caravan refrigerators from January 2014

Starting from serial number 401 XXXXX, new gas burners will be installed in caravan refrigerators (see Fig. 2) in the Dometic Siegen GmbH (DES) production facilities.

The mounting of the gas burner at the gas heating tube / cooling unit had to be changed for this. This change has the consequence that completely new cooling units are necessary.



If the cooling unit is changed on refrigerators manufactured up to serial number 352 XXXXX (end of 2013), the new unit with the corresponding new gas burners and the attachment components must be changed.

For this, see the spare parts table starting on page 3 in this instruction (spare part number: old cooling unit to new cooling unit plus the respective new attachment parts).

If only the gas burner has to be changed on the refrigerators, the previous gas burner must be ordered.

The „old units“ are no longer available after exhaustion of the stock at the central warehouse!

Old cooling unit version with burner (until end of 2013)

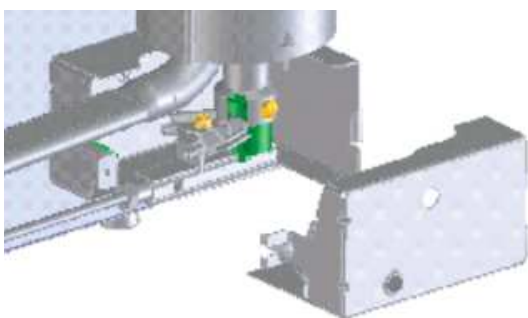


Fig. 1

New cooling unit version with burner and burner cover (from 2014)

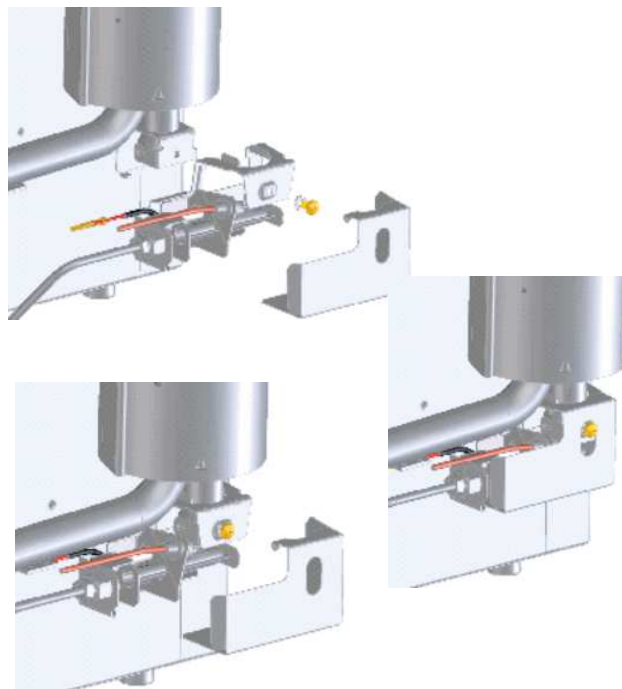


Fig. 2

New gas burner with cover for refrigerators with manual ignition and reigniter

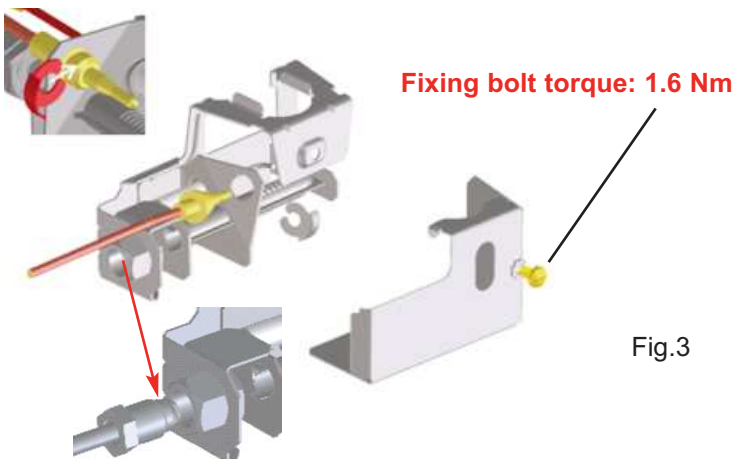


Fig.3

Manual ignition affected models:

- RM 8xxx0
- RM 8XX0, RMS 8XX0,
- RML 8XX0, RMSL 8XX0,
- RM 7XX0, RM 6XXX
- RM 5XXX, RM 4XXX,
- GM XXX, RGE 2XXX,
- RGE 3XXX, T 1XXX, S 1XXX

Reigniters

- RM 4XX1, RM 6XX1

⚠ Gas connection to gas burner torque 15 Nm!

In the case of unit replacement, the installed gas connection tube remains. It must be ensured that no pressure on the gas burner is produced by the gas connection tube. Remove the clamping force from the burner by slightly bending the gas connection tube.

New gas burner with cover for refrigerators with MES or AES

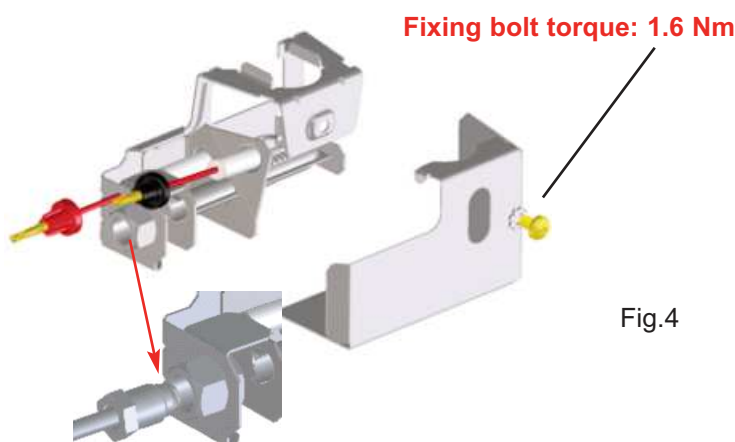


Fig.4

Affected models:

- RM 8XX1, RM 8XX5,
- RMS 8XX1,
- RM 8XX5, RMD 85XX,
- RMDT 85XX, RMDM 85XX,
- RML 8XX1, RML 8XX5,
- RMSL 8XX1, RMSL 85X5,
- RM 7XX1, RM 7XX5

⚠ Gas connection to gas burner torque 15 Nm!

For these refrigerators, the gas connection tube must be changed at the same time as the unit replacement!

Justify the gas burner

⚠ When installing the gas burner is essential to ensure that the gas burner, 90 °vertically and horizontally mounted to the boiler tube (see Figure 5).

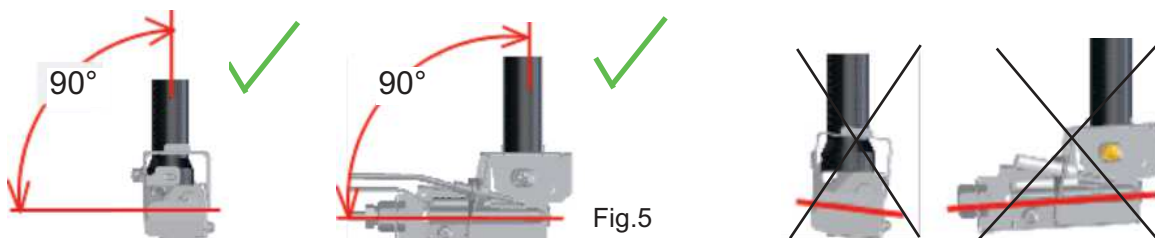


Fig.5

Ignition cable



The ignition cable of the gas burner might not be installed in coiled status.



Leakage test

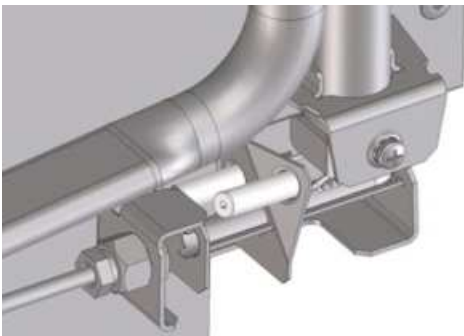


After Exchange you must make a leakage test (EN1949).

To make the leakage test (EN1949) the gas flow on the nozzle must be interrupted. Therefore we created a kit for 2 pliers, which can be used for both current burner variants (CBS1 or CBS1X). You need to change the assembly of the pliers depending of the burner variant.

The kit of pliers has the spare part number 241 2481-10/9.

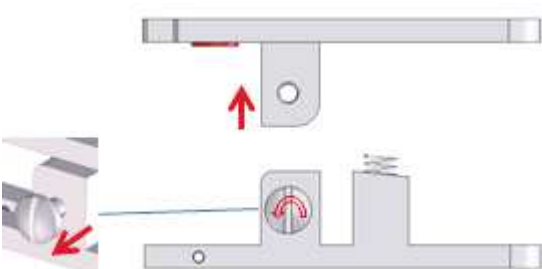
Burner **CBS1/CBS2**



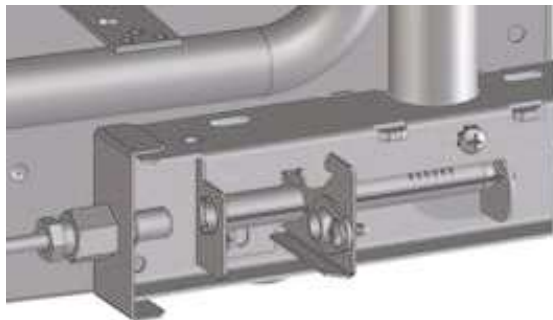
Pliers for leakage test burner **CBS1/CBS2**



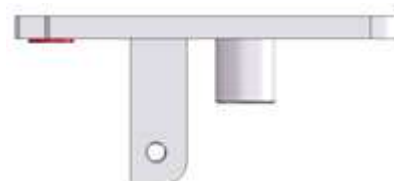
Conversion of the pliers



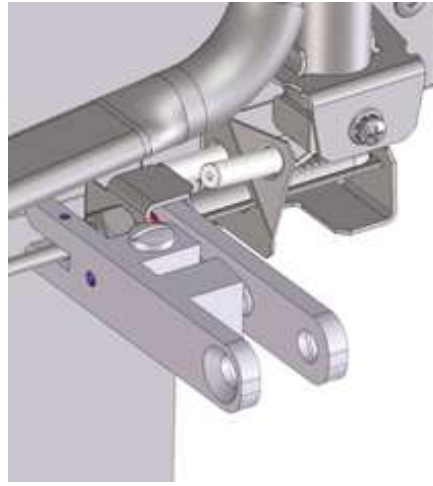
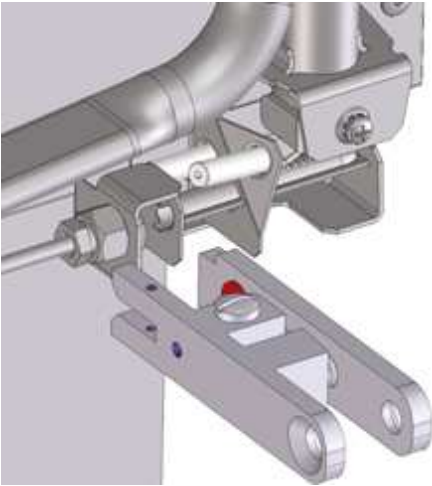
Burner **CBS1X**



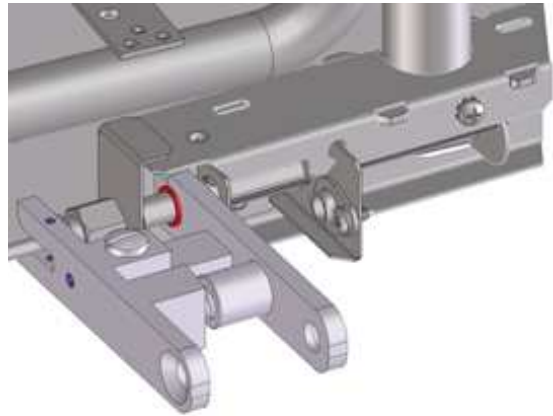
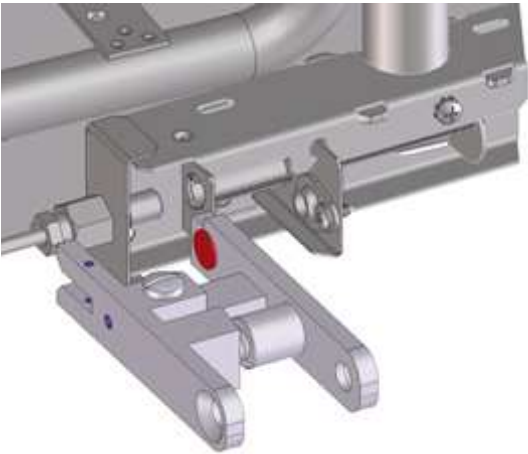
Pliers for leakage test burner **CBS1X**



Leakage test gas burner **CBS1/CBS2**



Leakage test gas burner **CBS1X**



		Bei Aggregatwechsel ist mit zu tauschen, bitte bestellen: By changing cooling unit you have to change also, please order:			
Aggregat Service "ALT" bis Ende 2013	Aggregat Service "NEU" ab 2014	Gasbrenner mit Abdeckung, manuelle Zündung und Wiederanzünder RM 4xxx1, RM 6xxx1 Achtung: Thermelement wird benötigt	Gasbrenner mit Abdeckung, MES/AES	Thermoelement manuelle Zündung und Wiederanzünder RM 4xxx1, RM 6xxx1	Gaszuführrohr MES/AES
Cooling units "OLD" until end of 2013	Cooling units "NEW" from 2014	Gasburner with cover, manual ignition and reigniter RM 4xxx1, RM 6xxx1 Attention: Thermocouple is required	Gasburner with cover, MES/AES	Thermocouple manual ignition and reigniter RM 4xxx1, RM 6xxx1	Gas supply pipe MES/AES
210 6563-00/6	289 0141-42/3	289 0604-92/5	289 0604-93/3	292 3435-90/9	241 2593-71/3
210 6910-11/6	289 0141-42/3	289 0604-92/5	289 0604-93/3	292 3435-90/9	241 2593-71/3
210 6910-12/4	289 0141-42/3	289 0604-92/5	289 0604-93/3	292 3435-90/9	241 2593-71/3
241 2263-00/2	289 0313-15/4	289 0604-92/5	289 0604-93/3	292 3435-90/9	241 2593-87/9 (Standard) 241 2593-88/7 (Schweden)
241 2263-30/9	289 0313-15/4	289 0604-92/5	289 0604-93/3	292 3435-90/9	241 2593-87/9 (Standard) 241 2593-88/7 (Schweden)
241 2263-33/3	289 0313-15/4	289 0604-92/5	289 0604-93/3	292 3435-90/9	241 2593-87/9 (Standard) 241 2593-88/7 (Schweden)
241 2263-80/4	289 0313-15/4	289 0604-92/5	289 0604-93/3	292 3435-90/9	241 2593-87/9 (Standard) 241 2593-88/7 (Schweden)
241 2282-20/0	289 0141-42/3	289 0604-92/5	289 0604-93/3	292 3435-90/9	241 2593-71/3
241 2282-40/8	289 0141-42/3	289 0604-92/5	289 0604-93/3	292 3435-90/9	241 2593-71/3
241 2282-50/7	289 0141-42/3	289 0604-92/5	289 0604-93/3	292 3435-90/9	241 2593-71/3
241 2458-00/8	289 0313-15/4	289 0604-92/5	289 0604-93/3	292 3435-90/9	241 2593-87/9 (Standard) 241 2593-88/7 (Schweden)
241 3292-70/3	295 2976-33/6	289 0604-90/9	289 0604-91/7	292 3435-90/9	241 2593-72/1
241 3299-10/4	295 2976-32/8	289 0604-90/9	289 0604-91/7	292 3435-90/9	241 2593-72/1
241 3299-60/9	295 2976-33/6	289 0604-90/9	289 0604-91/7	292 3435-90/9	241 2593-72/1
241 3443-00/9	289 0313-05/5	289 0604-92/5	289 0604-93/3	292 3435-90/9	241 2593-87/9 (Standard) 241 2593-88/7 (Schweden)
241 3443-10/8	289 0313-05/5	289 0604-92/5	289 0604-93/3	292 3435-90/9	241 2593-87/9 (Standard) 241 2593-88/7 (Schweden)
241 3443-20/7	289 0141-41/5	289 0604-92/5	289 0604-93/3	292 3435-90/9	241 2593-81/2
241 3443-30/6	289 0141-41/5	289 0604-92/5	289 0604-93/3	292 3435-90/9	241 2593-81/2
241 3444-90/8	289 0313-50/1	289 0604-92/5	289 0604-93/3	292 3435-90/9	241 2593-71/3
241 3932-10/0	289 0352-40/0	289 0604-90/9	289 0604-91/7	292 3435-90/9	241 2593-98/6
241 3932-30/8	289 0316-64/5	289 0604-90/9	289 0604-91/7	292 3435-90/9	241 2593-89/5
241 3932-90/2	289 0316-64/5	289 0604-92/5	289 0604-93/3	292 3435-90/9	241 2593-89/5
289 0129-02/2	289 0129-05/5	289 0604-90/9	289 0604-91/7	292 3435-90/9	
289 0129-08/9	289 0129-03/0	289 0604-90/9	289 0604-91/7	292 3435-90/9	
289 0129-09/7	289 0129-03/0	289 0604-90/9	289 0604-91/7	292 3435-90/9	
289 0129-20/4	289 0129-03/0	289 0604-90/9	289 0604-91/7	292 3435-90/9	
289 0129-40/2	289 0352-40/0	289 0604-90/9	289 0604-91/7	292 3435-90/9	241 2593-98/6
289 0129-50/1	289 0352-40/0	289 0604-90/9	289 0604-91/7	292 3435-90/9	241 2593-98/6
289 0129-70/9	295 2976-33/6	289 0604-90/9	289 0604-91/7	292 3435-90/9	241 2593-98/6
289 0212-10/9	289 0352-40/0	289 0604-90/9	289 0604-91/7	292 3435-90/9	241 2593-98/6
289 0218-00/7	289 0218-33/8	289 0604-92/5	289 0604-93/3	292 3435-90/9	241 2593-58/0
289 0218-01/5	289 0313-15/4	289 0604-92/5	289 0604-93/3	292 3435-90/9	241 2593-87/9 (Standard) 241 2593-88/7 (Schweden)
289 0218-03/1	289 0313-05/5	289 0604-92/5	289 0604-93/3	292 3435-90/9	241 2593-87/9 (Standard) 241 2593-88/7 (Schweden)
289 0218-04/9	289 0313-07/1	289 0604-92/5	289 0604-93/3	292 3435-90/9	241 2593-87/9
289 0218-05/6	289 0313-16/2	289 0604-92/5	289 0604-93/3	292 3435-90/9	241 2593-87/9
289 0218-07/2	289 0218-37/9	289 0604-92/5	289 0604-93/3	292 3435-90/9	241 2593-58/0
289 0218-08/0	289 0313-15/4	289 0604-92/5	289 0604-93/3	292 3435-90/9	241 2593-87/9 (Standard) 241 2593-88/7 (Schweden)
289 0218-09/8	289 0218-37/9	289 0604-92/5	289 0604-93/3	292 3435-90/9	241 2593-58/0
289 0218-10/6	289 0218-37/9	289 0604-92/5	289 0604-93/3	292 3435-90/9	241 2593-58/0
289 0218-14/8	289 0313-15/4	289 0604-92/5	289 0604-93/3	292 3435-90/9	241 2593-87/9 (Standard) 241 2593-88/7 (Schweden)
289 0218-28/8	289 0218-33/8	289 0604-92/5	289 0604-93/3	292 3435-90/9	241 2593-58/0
289 0218-30/4	289 0313-05/5	289 0604-92/5	289 0604-93/3	292 3435-90/9	241 2593-87/9 (Standard) 241 2593-88/7 (Schweden)
289 0305-30/9	289 0305-50/7	289 0604-92/5	289 0604-93/3	292 3435-90/9	241 2593-87/9 (Standard) 241 2593-88/7 (Schweden)
289 0313-03/0	289 0313-05/5	289 0604-92/5	289 0604-93/3	292 3435-90/9	241 2593-88/7 (Schweden)
289 0313-04/8	289 0313-07/1	289 0604-92/5	289 0604-93/3	292 3435-90/9	241 2593-87/9
289 0313-20/4	289 0141-41/5	289 0604-92/5	289 0604-93/3	292 3435-90/9	241 2593-81/2
289 0313-30/3	289 0313-50/1	289 0604-92/5	289 0604-93/3	292 3435-90/9	241 2593-71/3
289 0316-00/9	289 0316-64/5	289 0604-90/9	289 0604-91/7	292 3435-90/9	241 2593-89/5
289 0316-10/8	289 0352-40/0	289 0604-90/9	289 0604-91/7	292 3435-90/9	241 2593-98/6
293 5348-00/9	289 0313-15/4	289 0604-92/5	289 0604-93/3	292 3435-90/9	241 2593-87/9 (Standard) 241 2593-88/7 (Schweden)
293 5348-80/1	289 0313-15/4	289 0604-92/5	289 0604-93/3	292 3435-90/9	241 2593-87/9 (Standard) 241 2593-88/7 (Schweden)
293 5348-90/0	289 0313-15/4	289 0604-92/5	289 0604-93/3	292 3435-90/9	241 2593-87/9 (Standard) 241 2593-88/7 (Schweden)
293 6160-00/7	289 0218-37/9	289 0604-92/5	289 0604-93/3	292 3435-90/9	241 2593-58/0
293 6160-30/4	289 0218-37/9	289 0604-92/5	289 0604-93/3	292 3435-90/9	241 2593-58/0
293 6160-40/3	289 0218-37/9	289 0604-92/5	289 0604-93/3	292 3435-90/9	241 2593-58/0
293 6160-90/8	289 0218-37/9	289 0604-92/5	289 0604-93/3	292 3435-90/9	241 2593-58/0
295 1663-00/0	289 0141-42/3	289 0604-92/5	289 0604-93/3	292 3435-90/9	241 2593-71/3
295 2610-00/0	289 0305-50/7	289 0604-92/5	289 0604-93/3	292 3435-90/9	
295 2610-20/8	289 0141-42/3	289 0604-92/5	289 0604-93/3	292 3435-90/9	241 2593-71/3
295 2610-30/7	289 0305-50/7	289 0604-92/5	289 0604-93/3	292 3435-90/9	
295 2610-50/5	289 0141-42/3	289 0604-92/5	289 0604-93/3	292 3435-90/9	241 2593-71/3
295 2610-52/1	289 0141-42/3	289 0604-92/5	289 0604-93/3	292 3435-90/9	241 2593-71/3
295 2610-53/9	289 0141-42/3	289 0604-92/5	289 0604-93/3	292 3435-90/9	241 2593-71/3
295 2976-10/4	295 2976-31/0	289 0604-90/9	289 0604-91/7	292 3435-90/9	241 2593-72/1
295 2976-30/2	295 2976-31/0	289 0604-90/9	289 0604-91/7	292 3435-90/9	241 2593-72/1